

Circuit Protector

GCP series



FEATURES

- Dual Voltage(AC/DC)
- Subcompact size(17.5mm width / 1pole)
- Rated interruption capacity: 2.5kA/1.5kA
- Optional aux. Switch
- Wide range of mounting options
- Easy to read on-off status

APPLICATIONS

- Industrial Machines
- Food, Chemical
- Telecommunications
- Electronics
- Computer Peripherals

DESCRIPTION

GCP series circuit protector comprises Honeywell's most cost-effective switching device portfolio. It's wide selection of mounting methods and options provide flexibility for your specific applications. GCP circuit protector is ideal for applications requiring compactness, robust breaking, accurate repeatability, reliability and long life.

Honeywell's manufacturing facilities and processes, high quality materials, and proven switching technology and design ensure stable performance and precision operation. Our worldwide network of manufacturing, sales, and distribution resources support you with rapid response and product and service availability.

WARNINGS



- DO NOT USE this product as safety or emergency devices or in any other applications where failure of the product could result in a personal injury
- This information presented in this product sheet is for reference only. DO NOT USE this document as product installation information.

Circuit Protector

GCP series

MODEL SELECTION GUIDE

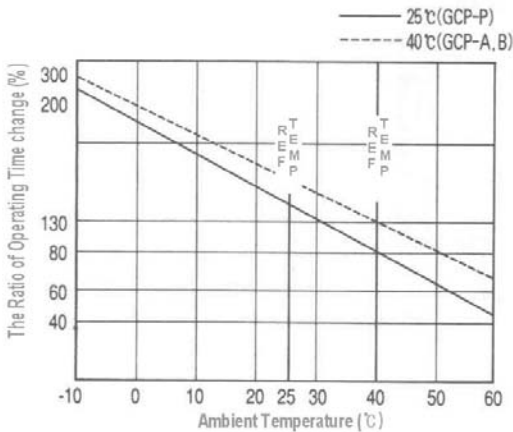
GCP-3	1	A	S	I	3A	AX
	No of Pole	Mounting / Connection	Terminal Protection	Protection Mode	Ampere Rating	Option
	1 2 3	A Panel & Integral / Screw-in(Din Rail)	None : standard S : Safety	I instantaneous M Medium Term	0.1~30A	AX auxiliary s/w

TECHNICAL INFORMATION

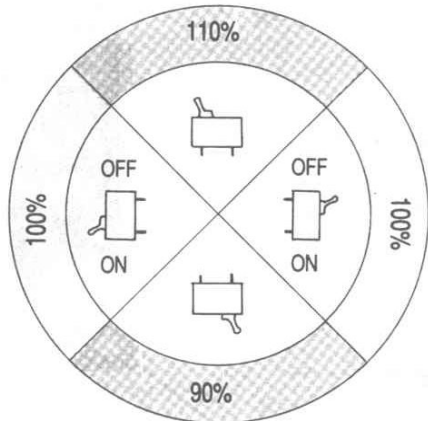
Mechanical Characteristics	Shock Resistance	50G Min.
	Vibration Durability	15G Max.
	Endurance Characteristic	Min. 10,000 times at 10 times opening and closing for 1 minute
Electrical Characteristic	Temperature Rising	Max 50 degrees at terminal part in the case of conducting the rated current consecutively less than standard ambient temperature
	Overload Characteristic	More than 50 times in the conditions of conducting 6 times of rated current at 4 times operating and closing for 1 minute
	Endurance Characteristic	Min. 6,000 times in the condition of conducting rated current at 4 times opening and closing for 1 minutes
	Insulation Resistance	100MΩ min(500V insulating resistance tester)

* The altitude of site of installation does not exceed 2,000m.

Influence by Ambient Temperature



Influence by Mounting position



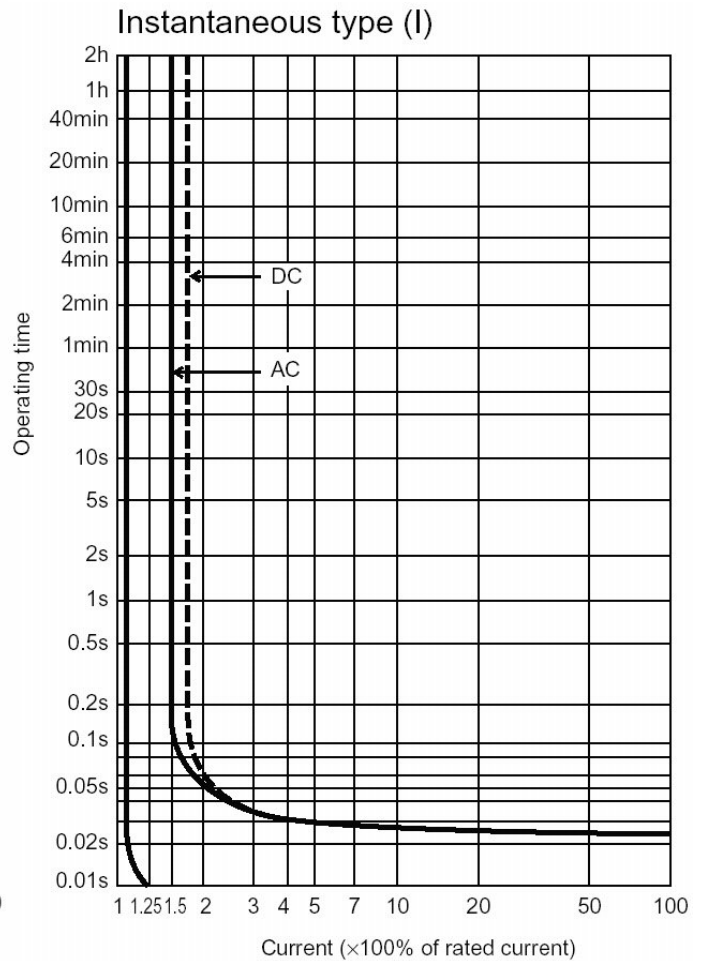
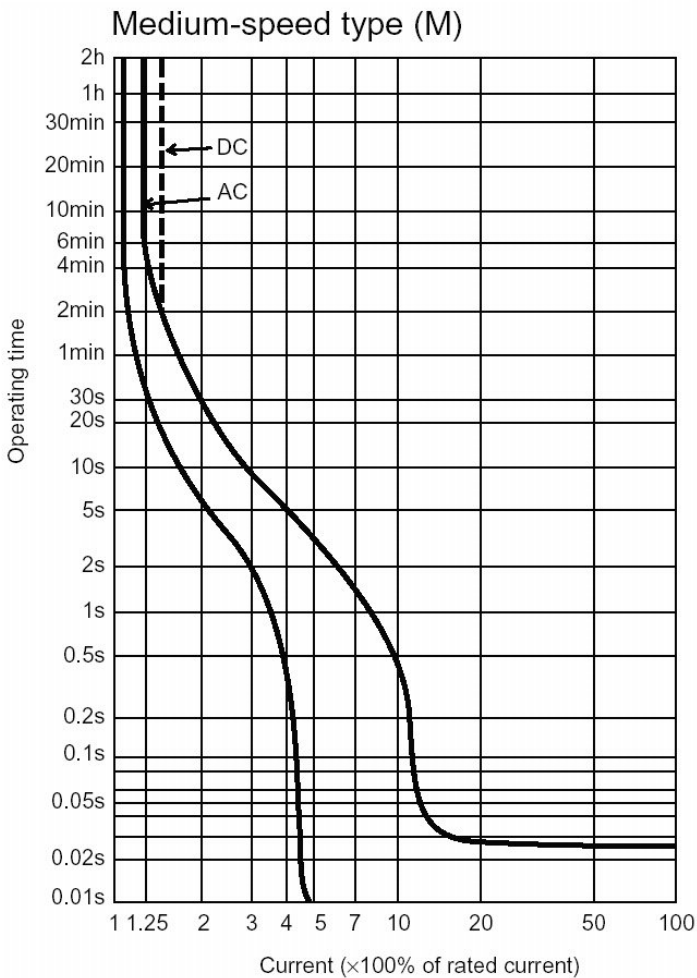
Circuit Protector

GCP series

Specification

Rated Voltage	AC250V(50/60 Hz), DC60V(1pole only), DC120V(2pole only)
Ampere Rating(A)	0.1 ~ 30A
Rated Break Ampere	AC250V:2.5KA, DC60V:2.5KA(1pole), DC120V:2.5KA(2pole)
Protection Mode	Instantaneous (I), Medium Speed (M) type available
Internal Circuit	Series trip (S), Auxiliary switch (Ax)
Ambient Temp. / Humidity	10 to 60 degrees by Celsius / 0 to 85% by Relative Humidity
Reference Ambient Temp	40°C
Dielectric Strength	1 Minute at AC1500V(50/60Hz)
Mounting / Connection	Panel & Integral type / Screw-in (Din rail)
Electrical Life	10,000 operations minimum(6,000 operations with rated ampere at 6 operations/min)

Curve for Trip

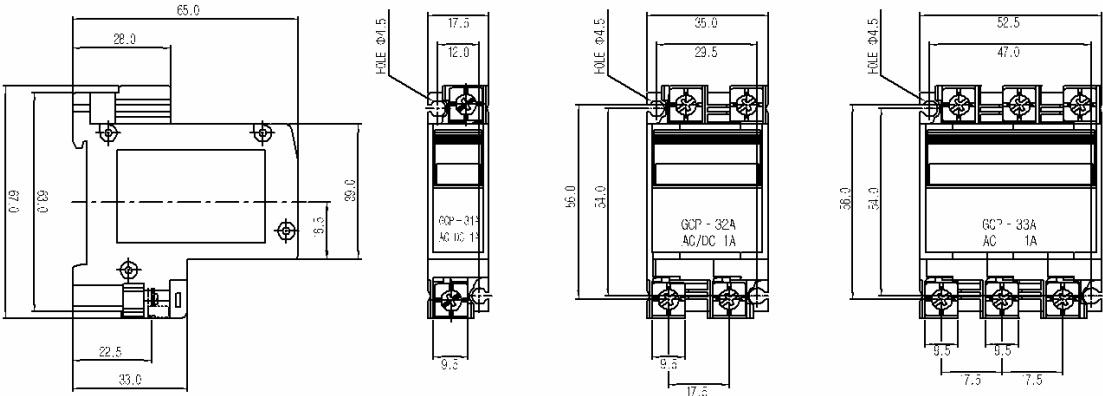


Circuit Protector

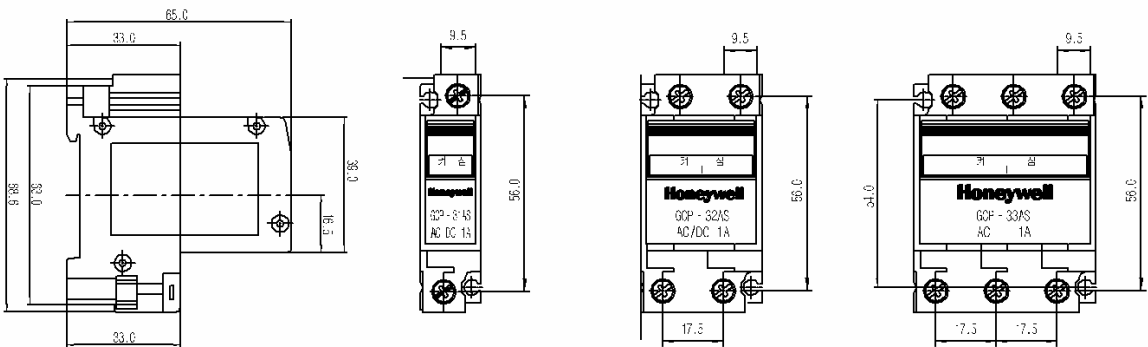
GCP series

Dimension for Out line

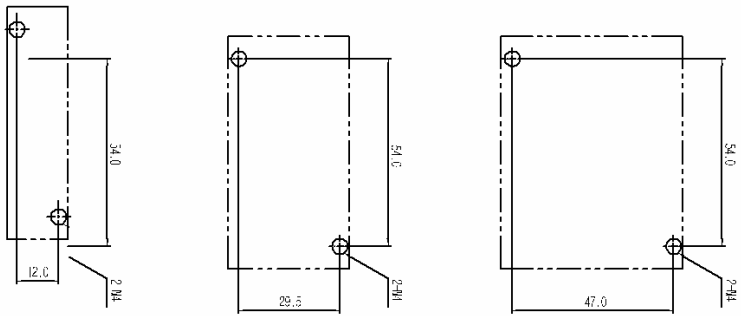
GCP-A series



GCP-AS series



Hole dimension for Fixed



Circuit Protector

GCP series

Warranty/Remedy

Honeywell warrants goods of its manufacture as being free of defective material and faulty workmanship. Contact your local sales office for warranty information. If warranted goods are returned to Honeywell during that period of coverage, Honeywell will repair or replace without charge those items it finds defective. The foregoing is Buyer's sole remedy and

is in lieu of all other warranties, expressed or implied, including those of merchantability and fitness for a particular purpose.

While we provide application assistance, personally and through our literature, it is up to the customer to determine the suitability of the product in the application.

Specifications may change at any time without notice. The information we supply is believed to be accurate and reliable as of this printing. However, we assume no responsibility for its use.

Sales and Service

Honeywell serves its customers through a worldwide network of sales offices and distributors. For application assistance, current specifications, pricing, or name of the nearest Authorized Distributor, contact your local sales office or:

INTERNET: www.honeywell.com/sensing

E-mail: info.sc@honeywell.com

ASIA PACIFIC

**Sensing and Control
Asia Pacific Headquarters**
Phone: +(65)355-2828
Fax: +(65)445-3033

Australia
Honeywell Limited
Phone: +(61)2-9370-4500
Fax: +(61)2-9370-4525
Toll Free 1300-36-39-36
Toll Free Fax: 1300-36-04-70

China — PRC — Beijing
Honeywell China Inc.
Phone: +(86-10)6561-0208
Ext.205
Fax: +(86-10)6561-0618

China — PRC — Shanghai
Honeywell China Inc.
Phone: +(86-21)6534-9181
Fax: +(86-21)6534-2248

China — Hong Kong S.A.R.
Honeywell Ltd.
Phone: +(852)2331-9133
Fax: +(852)2331-9998

China — PRC — Chengdu
Honeywell China Inc.
Phone: +(86-28)6786-348
Fax: +(86-28)6787-061

China — PRC — Guangzhou
Honeywell China Inc.
Phone: +(86-20)3879-1169
Fax: +(86-20)3879-1269

China — PRC — Shenzhen
Honeywell China Inc.
Phone: +(86)755-518-1226
Fax: +(86)755-518-1221

Indonesia
Honeywell Indonesia Pte Ltd.
Phone: +(6221)521-3330
Fax: +(6221)521-3735

India
TATA Honeywell Ltd.
Phone: +(91)20 6875-534
Fax: +(91)20 6875-992

Japan
Honeywell Inc
Phone: +(81)3 5440 1395
Fax: +(81)3 5440 1314

South Korea
Honeywell Korea Co Ltd.
Phone: +(822)799-6114
Fax: +(82)792-9011

Malaysia
Honeywell Engineering Sdn
Bhd.
Phone: +(603)7958-4988
Fax: +(603)7958-8922

New Zealand
Honeywell Limited
Phone: +(649)623-5050
Fax: +(649)623-5060
Toll Free 0800-202-088

Philippines
Honeywell Systems
(Philippines) Inc.
Phone: +(632)636-1649
Fax: +(632)636-1650

Singapore
Honeywell South East Asia
Phone: +(65)355-2828
Fax: +(65)445-3033

Thailand
Honeywell Systems
(Thailand) Ltd.
Phone: +(662)693-3099
Fax: +(662)693-3085

Taiwan R.O.C.
Honeywell Taiwan Ltd.
Phone: +(8862)2245-1000
Fax: +(8862)2245-3242

EUROPE

Austria
Honeywell Austria GmbH.
Phone: +(43)1 727 80 366/246
Fax: +(43)1 727 80 337

Belgium
Honeywell SA/NV
Phone: +(32)2 728 2522
Fax: +(32)2 728 2502

Bulgaria
Honeywell EOOD
Phone: +(359)2 79 40 27
Fax: +(359)2 79 40 90

Czech Republic
Honeywell spol.s.r.o.
Phone: +(420)2 6112 6112
Fax: +(420)2 6112 3461

Denmark
Honeywell A/S
Phone: +(45)39 55 55 55
Fax: +(45)39 55 55 58

Finland
Honeywell OY
Phone: +(358)9 3480101
Fax: +(358)9 34801375

France
Honeywell SA
Phone: +(33)1 60 19 82 68
Fax: +(33)1 60 19 81 73

Germany
Honeywell AG
Phone: +(49)69 8064 444
Fax: +(49)69 8064 442

Hungary
Honeywell Kft.
Phone: +(36)1451 4300
Fax: +(36)1451 4343

Italy
Honeywell S.p.A.
Phone: +(39)02 92146 450/
456
Fax: +(39)02 92146 490

The Netherlands
Honeywell B.V.
Phone: +(31)20 565 69 11
Fax: +(31)20 565 66 00

Norway
Honeywell A/S
Phone: +(47)66 76 20 00
Fax: +(47)66 76 20 90

Poland
Honeywell Sp.zo.o
Phone: +(48)22 606 0900
Fax: +(48)22 606 0901

Portugal
Honeywell Portugal Lda.
Phone: +(351 21)424 50 00
Fax: +(351 21)424 50 99

Romania
Honeywell Bucharest
Phone: +(40)1 2110076
Fax: +(40)1 2103375

**Commonwealth
of Independent States(CIS)**
Z.A.O. Honeywell
Phone: +(7 095)796 98 36
Fax: +(7 095)796 98 93

Slovak Republic
Honeywell s.r.o.
Phone: +(421 7)58247 403
/400
Fax: +(421 7)58247 415

South Africa(Republic of)
Honeywell Southern Africa
Honeywell S.A. Pty. Ltd.
Phone: +(27)11 805 1211
Fax: +(27)11 805 1354

Spain
Honeywell S.A.
Phone: +(34)91 313 6100
Fax: +(34)91 313 6129

Sweden
Honeywell AB
Phone: +(46)8 775 55 00
Fax: +(46)8 775 56 00

Switzerland
Honeywell AG.
Phone: +(41)1 855 24 40
Fax: +(41)1 855 24 45

Turkey
Honeywell Turkey A.S.
Phone: +(90)216 464 4764
Fax: +(90)216 464 4794

United Kingdom
Honeywell Control Systems
Ltd.
Phone: +(44)118 906 2600
Fax: +(44)118 981 7513

**Mediterranean & African
Distributors**
Honeywell SpA
Phone: +(39)2 921 46 232
Fax: +(39)2 921 46 233

Middle East Headquarters
Honeywell Middle East Ltd.
Phone: +(9712)443 2119
Fax: +(9712)443 2536

NORTH AMERICA

Canada
Honeywell LTD.
Phone: 1-800-737-3360
Fax: 1-800-565-4130

USA
Honeywell
Sensing and Control,
International Headquarters
Phone: 1-800-537-6945
1-815-235-6847
Fax: 1-815-235-6545
E-mail: info.sc@honeywell.com

LATIN AMERICA

Argentina
Honeywell S.A.I.C.
Phone: +(54 11)4383-3637
Fax: +(54 11)4325-6470

Brazil
Honeywell do Brasil & Cia
Phone: +(55 11)7266-1900
Fax: +(55 11)7266-1905

Chile
Honeywell Chile, S.A.
Phone: +(56 2)233-0688
Fax: +(56 2)231-6679

Columbia
Honeywell Columbia, S.A.
Phone: +(57 1)623-3239/3051
Fax: +(57 1)623-3395

Ecuador
Honeywell S.A.
Phone: +(593 2)981-560/1
Fax: +(593 2)981-562

Mexico
Honeywell S.A. de C.V.
Phone: +(52 5)259 1966
Fax: +(52 5)570-2985

Puerto Rico
Honeywell Inc.
Phone: +(809)792-7075
Fax: +(809)792-0053

Venezuela
Honeywell CA
Phone: +(58 2)238-0211
Fax: +(58 2)238-3391

Sensing & Control

Honeywell Korea.
191, Hangangro-2 Ga, Yongsan-Gu
Seoul 140-702 Korea
www.honeywell.com/sensing
email: S&C_AP@singapore.honeywell.com



Printed with Soy Ink
on 50% Recycled Paper