

V5050A

3-WAY FLANGED LINEAR VALVE PN16

SPECIFICATION DATA



General

These single seated valves are used for modulating control of hot / chilled water or steam in heating, ventilating and air conditioning systems. The valves can be operated by linear actuators ML6421B and M7L421B.

Features

- Cast iron body with flanged end connections
- Low seat leakage rate
- Metal to metal seating for long life span
- Self adjusting packing
- Accurate positioning to ensure state of the art temperature control
- Easy mounting of direct coupled electric and pneumatic actuators
- Constant total flow throughout full plug travel

Specifications

Action	Stem up to close port A-AB
Nominal pressure rating	PN16
Valve type	3-way mixing
Flow characteristic	Equal percentage port A-AB, linear port B-AB
Rangeability	50:1
Leakage rate	≤0.1 % of k_{VS} port A-AB ≤1 % of k_{VS} port B-AB
Stroke	38 mm
Valve body	
End connections	Flanged per ISO 7005-2
Material	Cast iron (GG25)
Dimensions	See Fig. 1
Trim	
Seat	Body integrated
Stem	Stainless steel
Plug	Stainless steel, skirt guided
Packing	Spring loaded PTFE cone rings
Medium temperature and pressure	
PN16	2 ... 120 °C ; 1600 kPa 120 ... 150 °C ; 1440 kPa
Maximum temperature differential in alternating hot/cold water use	60 K

Sizes and flow capacities

Order Number	Valve Size	kvs
V5050A2088	DN100	140
V5050A2106	DN125	220
V5050A2114	DN150	310

Actuators

Electric actuators

Actuator (1800N)	Valve Size
M6421B M7421B	DN100 - DN150

Installation

- Water should meet VDI 2035 requirements.
- Do not install valve with stem below the horizontal.
- Fluid flow must correspond with the arrow direction on the valve body.
- The installation of a strainer is strongly recommended.

CLOSE OFF PRESSURE RATINGS in kPa

Electric actuators

Actuator		Valve Size		
Model	Force	DN100	DN125	DN150
ML6421B, ML7421B	1800 N	150	120	80

DIMENSIONS (mm)

Valve

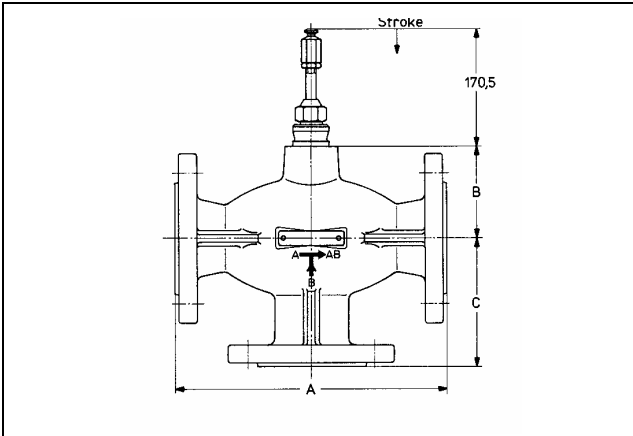


Fig. 1 V5050A

Valve Size	A	B	C
DN100	350	100	150
DN125	400	120	175
DN150	480	140	200

Electric actuators

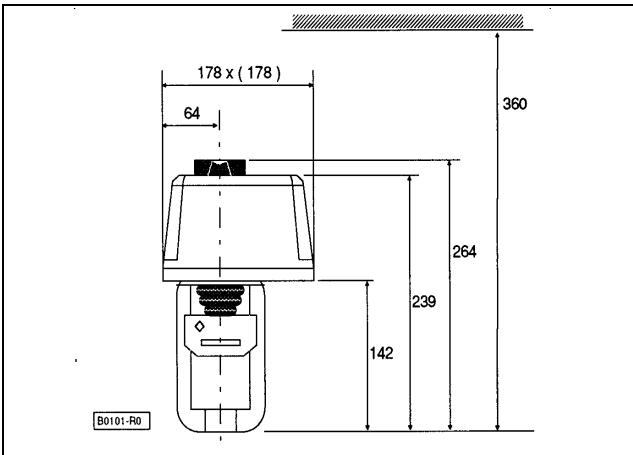


Fig. 2 ML6421B/ML7421B

Repair packing kit

Part No.: 88609020



← CARBON+TEFLON



← O-RING(NBR)

Honeywell

Automation and Control Solutions

Honeywell Taiwan Ltd.
9F, 168 Lien Cheng Road
Chung Ho City, Taipei County, Taiwan
Phone: +886-2-2243 1653
Fax: +886-2-2243 1244

Subject to change without notice. Printed in Taiwan

APEN0H-002TW01B0607