

VBA216-F

PRODUCT DATA



GENERAL

The flanged two-way ball valves are used for modulating control of hot / chilled water in heating, ventilating and air conditioning systems.

Honeywell CN7220A2007(20N.m) and CN7234A2007(34N.m) rotary actuators are recommended to be used with VBA216F series.

FEATURES

- Low seat leakage rate.
- Accurate positioning to ensure state-of-the-art temperature control.
- Easy mounting of directly coupled with electric actuator.

SPECIFICATIONS

Rated rotary angle	90° (adjustable)
Nominal pressure rating	PN16
Flow characteristic	Equal percentage (See Fig.1)
Rangeability	See Table. 1
Leakage rate	≤0.01% of k_{vs}
Valve body	
End connections	Flanged (ISO7005-2)
Material	Cast Iron (body)
Dimensions	See Fig.2
Trim	
Seat	Reinforced PTFE
Ball	Stainless Steel
Stem	Stainless Steel
Medium	Chilled and hot water, 50% glycol solution
Working temperature	-5 ... 110 °C

* If you need temperature upto 150°C, please contact Honeywell.

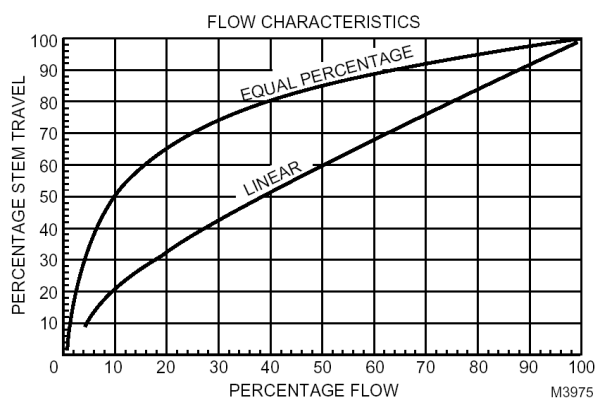


Fig. 1

SIZES AND FLOW CAPACITIES

Table 1. Sizes and flow capacities

Order Number	Valve Size	Kvs	Rangeability	Close-off(KPa)	Recommendatory Actuator Torque
VBA216-065F	DN65	63	452:1	700	20N.m
VBA216-080F	DN80	100	367:1	700	20N.m
VBA216-100F	DN100	160	345:1	700	34N.m
VBA216-125F	DN125	250	200:1	700	34N.m
VBA216-150F	DN150	350	187:1	400	34N.m

DIMENSIONS

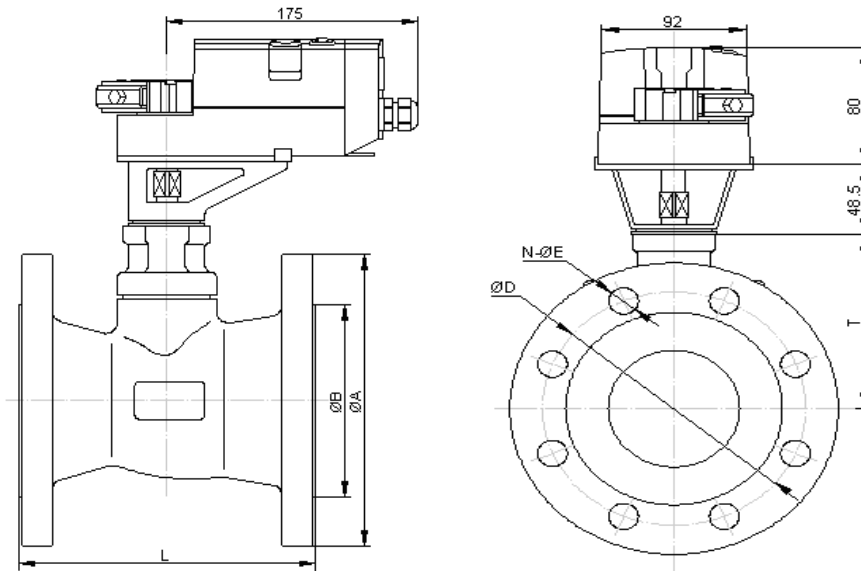


Fig. 2

Size	L (mm)	T (mm)	ΦA (mm)	ΦB (mm)	ΦD (mm)	N-ΦE (mm)	Weight (Kg)
DN65	190	111	180	118	145	4-18	14
DN80	203	120	195	132	160	8-18	16
DN100	229	135	220	156	180	8-18	24
DN125	254	145	249	184	210	8-18	29
DN150	267	165	280	210	240	8-22	34

INSTALLATION

- Vertical installation of horizontal piping or horizontal installation of vertical piping.
- When mounting the actuator in the fields, before installing the actuator, use an adjustable wrench to manually rotate the valve stem several times. This rotation breaks the torque that may have built up during long-term storage.
- Pay attention to medium flow direction, make sure the valve to move in the proper direction, wire the input lines to the electric actuator correctly.



Printed in China.
Subject to change without notice.
APEN0H-048CH33B0410

CENTRA[®]
LINE
by Honeywell