

## Differential Pressure Switches DPS Series

### FOR AIR CONDITIONING / VENTILATION, USER-ADJUSTABLE

#### PRODUCT DATA AND INSTALLATION INSTRUCTIONS



#### TECHNICAL SPECIFICATIONS

<b>Max. operating pressure</b>	10 kPa
<b>Pressure media</b>	air, non-flammable gases, and non-aggressive gases
<b>Pressure connections</b>	two plastic tubes, outside diameter: 6.0 mm
<b>Switching capacity</b>	1.5 A, (0.4) /250 Vac
<b>Electrical connections</b>	AMP connectors, 6.3 x 0.8, DIN 46244 or screw terminals
<b>Conduit entry</b>	M20x1.5
<b>Protection class</b>	IP 54
<b>Mounting lugs</b>	integrated in bottom housing (alternative: mounting angles)
<b>Medium/ambient temp.</b>	-20...+85 °C
<b>Storage temperature</b>	-40...+85 °C
<b>Membrane material</b>	silicone

#### APPLICATION

Differential pressure switches e.g. for monitoring filter, fan, fire damper, or air flow status of air handling systems.

#### BENEFITS

- Switching-point easily adjustable with scale in Pascal;
- Direction of M20x1.5 conduit entry can be rotated in steps of 120°;
- Only one screw needed for housing cover.

#### APPROVALS

- CE approval according to low-voltage directive 2006/95/EC;
- Switch according to VDE 0630;
- EC Gas Appliance Directive 90/396/EEC according to DIN EN 1854 (Nov. 01, 1997)
- ROHS 2002/95/EC

#### CONTENTS OF DELIVERY

The delivery includes (in the case of individual packages) the following parts:

- **1 DPS Differential Pressure Switch**
- **1 Data Sheet with installation information**
- **1 DSPK duct kit, consisting of:**
  - 2 m of silicone hosing
  - 2 joining pipes with four screws
  - 2 self-tapping screws for mounting the housing
  - 3 terminal screws for electrical installation

Bulk packages available, upon request.

#### OPERATING RANGES

type	adjustment range for upper trip pressure*	switching difference (hysteresis)	tolerance at adjusted switch-point
DPS 200	20...200 (Pa)	10 (Pa)	±20%
DPS 400	40...400 (Pa)	20 (Pa)	±15%
DPS 500	50...500 (Pa)	20 (Pa)	
DPS 1000	200...1000 (Pa)	100 (Pa)	
DPS 2500	500...2500 (Pa)	150 (Pa)	

\*The trip pressure refers to vertical mounting. In case of horizontal mounting (with the cover pointing upwards), the range values increase by 20 Pa.

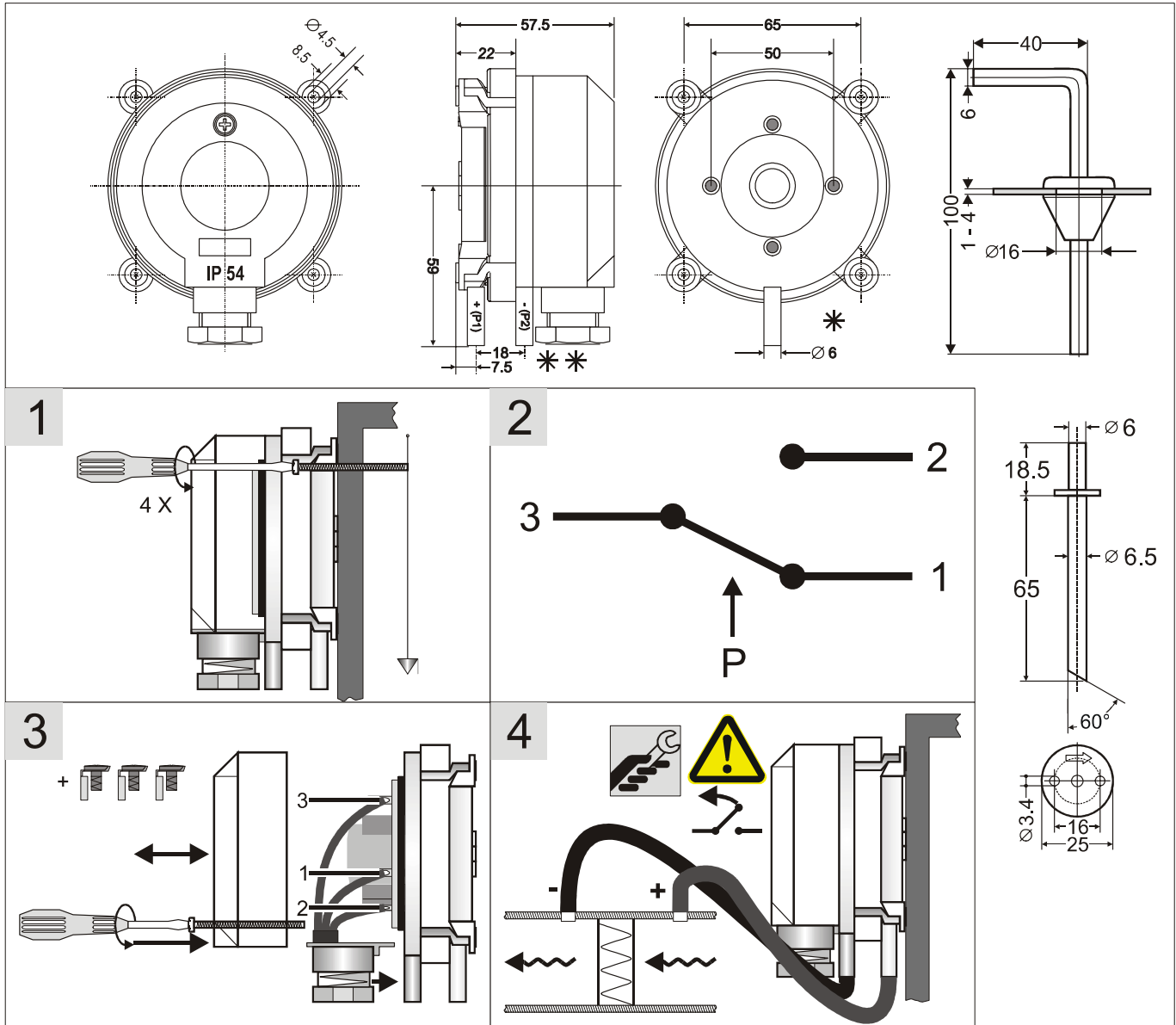
#### DIMENSIONS

See "Mounting/Einbau/Montage" on page 4.

#### ACCESSORIES / DELIVERY OPTION

- DPST: Set of three screw terminals
- DPSJ: Joining pipe (part of DSPK duct kit)
- DPS...B in bulk pack (45 pc. per box), without accessories, but with 1 set of Mounting Instructions

## MOUNTING/EINBAU/MONTAGE



- P1 = higher pressure = höherer Druck = pression haute  
 P2 = lower pressure = niedrigerer Druck = pression basse  
 \*Use two screws, only, for mounting lugs!  
 \*Zur Befestigung nur zwei Schrauben verwenden!  
 \* N'utiliser que deux vis pour le montage.  
 \*\* Remove transport protection from P2!  
 \*\* Transportkappe von P2 entfernen!  
 \*\* Enlever le couvercle de transport de P2.

- NOTE:** Do not install upside down with trip pressures of less than 50 Pa!  
**HINWEIS:** Bei einem Schaltdruck von weniger als 50 Pa darf das Gerät nicht über Kopf montiert werden!  
**NOTICE:** Ne pas installer à l'envers si la pression de commutation!

**Honeywell**

Manufactured for and on behalf of the Environmental and Combustion Controls Division of Honeywell Technologies Sàrl, Ecublens, Route du Bois 37, Switzerland by its Authorized Representative:

### Automation and Control Solutions

Honeywell GmbH  
 Böblinger Str. 17  
 71101 Schönaich  
 Germany  
 Tel.: (49) 7031-637-02  
 Fax: (49) 7031-637-850  
<http://europe.hbc.honeywell.com>

Änderungen vorbehalten. Gedruckt in Deutschland • Modifications reserved. Printed in Germany • Sous réserve de toutes modifications. Imprimé en Allemagne

MU0B-0073GE51 R0707