

## H3D Series S

### equiP® SERIES S 1080p / 3 MP / 5 MP MFZ LENS TRUE DAY/NIGHT H.264 INDOOR MINIDOME IP CAMERA

Honeywell's H.264 indoor H3D Series S cameras offer high definition resolution at full frame rate, progressive scan technology and edge enhancement for outstanding picture clarity. ONVIF (Profile S) compliance ensures hassle-free, flexible system integration.

#### Choose the Resolution That's Right for Your Application

- 1080p, 3 megapixel and 5 megapixel models
- Quad stream compression (H.264-1+H.264-2+H.264-3+H.264-4/MJPEG)
- Configurable resolution and frame rate for each selected H.264 stream

#### Maximize Bandwidth without Losing Image Quality

- Highly efficient H.264 video compression
- 3DNR (Digital Noise Reduction) and proprietary SPQ (Smart Picture Quality) provide significant storage savings without sacrificing image quality in low light
- CMOS progressive scan imager ensures accurate colour rendition through a wide variety of lighting conditions

#### P-Iris Control Improves Contrast and Clarity

- The P-Iris setting keeps both close and distant objects in the scene in focus simultaneously, even in changing lighting conditions

#### Smart IR Ensures Correct Illumination (IR Models Only)

- The IR LED brightness adjusts automatically to provide even illumination of moving subjects

#### Onboard Video Storage

- Up to 32 GB microSDHC (Class 10) support. Card not included

#### Privacy Masking

- Conceal up to 5 areas of a scene from viewing and recording

#### Time is Money—Installation and Upgrading Made Easy

- Camera and lens integrated in a compact, single-piece unit
- Built-in PoE (Power over Ethernet) eliminates separate power supply and associated wiring. 12 V DC or 24 V AC inputs where PoE power is unavailable
- Remote configuration, auto focus and motorized zoom adjustments, and firmware updating through Honeywell Viewer web client or from an NVR/DVR. Password-protected access to the camera's video and network setup
- Export/import of configuration facilitates quick rollout of multiple cameras

#### Market Opportunities

The H3D Series S cameras are perfect for applications that require excellent picture quality at minimal bandwidth. The cameras can be retrofitted on many existing DVR/NVR installations without requiring additional storage.

#### Features

- Up to 25 fps (30 fps for NTSC) progressive scan
- True day/night, 3–9 mm (F1.2) MFZ lens with removable IR cut filter. H3D5 lens is 5–9 mm (F1.5) when set to 5 MP resolution
- IR models feature 24 LEDs, providing up to 50 ft (15 m) of illumination depending on scene reflectance
- Camera tamper detection and video motion detection
- Supports both dynamic and static IP addresses and APIPA auto-IP addressing
- Up to 8× digital zoom
- Date and time stamp embedded in video stream
- Configurable user privileges for simple viewing or administrator control and setup of functions
- Input (×1) and output (×1) alarm contacts
- Bidirectional audio communication



(IR model shown)



# H3D Series S

## FEATURES

### Immediately Detect and Respond to Events

The camera can be configured to automatically detect and respond to events such as motion in the scene, alarm inputs, a network failure and/or tampering. Automated responses include:

- Sending a notification through email, FTP and/or HTTP
- Uploading still images at the time of the event through email and/or FTP
- Recording a video clip of the event to a configured microSDHC memory card or Network Attached Storage device
- Enabling a visual or auditory notification (for example, a flashing light, bell or siren)

The screenshot displays the Honeywell equIP Series S web interface. At the top, the Honeywell logo and 'equIP® Series S' are visible. The user is logged in as 'admin'. The navigation menu includes 'Home', 'System', 'Streaming', 'Camera' (highlighted), and 'Logout'. The main content area is divided into a left sidebar for settings and a central video feed.

**Exposure Settings:**

- Max Gain: 3
- Auto Iris:
- P-Iris Priority:
- Iris Size Setting:
- Auto Detect:
- Manual:
- Min Shutter Speed: 1/4
- Iris Priority:
- Auto Shutter:
- Shutter Priority:
- Manual Mode:

**White Balance:** [Dropdown]

**Picture Adjustment:** [Dropdown]

**Backlight:** Off

**Digital Zoom:** Off

**Day/Night Function:** Auto

**IR Light Compensation:** Off

**Video Feed:** Zoom trigger AF, 2013/12/06 14:07. The feed shows a hallway with blue doors and potted plants.

**Video Format:** H.264-1 (selected), H.264-2

**Zoom:** Wide, Tele, [Slider]

**Focus:** Near, Far, Push AF

**AF Mode:** Manual, Zm Trig

**Bitrate Information:**

- MJPEG bitrate : middle compression, middle quality
- H.264-1 bitrate : 4096 kbps, middle compression
- H.264-2 bitrate : 1024 kbps, high compression, low quality
- H.264-3 bitrate : 1024 kbps, high compression, low quality
- H.264-4 bitrate : 1024 kbps, high compression, low quality

# H3D Series S

## SPECIFICATIONS

Operational	
Video Standard	PAL/NTSC
Scanning System	Progressive scan
Image Sensor	H3D2 cameras: 1/2.7-in. CMOS H3D3 cameras: 1/3-in. CMOS H3D5 cameras: 1/2.5-in. CMOS
Number of Pixels (H × V)	H3D2 cameras: 1920 × 1080 (1080p) H3D3 cameras: 2048 × 1536 (3 MP) H3D5 cameras: 2592 × 1944 (5 MP)
Minimum Illumination	H3D2 cameras: 0.45 lux colour/0.02 lux BW @ 50 IRE, F1.2 (IR off) H3D3 cameras: 0.3 lux colour/0.01 lux BW @ 50 IRE, F1.2 (IR off) H3D5 cameras: 0.5 lux colour/0.02 lux BW @ 50 IRE, F1.2 (IR off)
Video Output (AUX)	1.0 Vp-p @ 75 ohms
S/N Ratio	50 dB or more (AGC off)
Auto Gain Control	Off/On, selectable
Wide Dynamic Range	H3D2 cameras: 69 dB H3D3 cameras: 69 dB H3D5 cameras: 70 dB
Automatic Electronic Shutter	1–1/10,000 s PAL and NTSC
Lens Type	3–9 mm MFZ, F1.2 wide/F2.1 tele (H3D5 cameras @ 5 MP: 5–9 mm, F1.5 wide/F2.1 tele)
Horizontal Angle of View	H3D2 cameras: 108° wide; 41° tele H3D3 cameras @ 3 MP: 90° wide; 30° tele H3D3 cameras @ 1080p: 86.3° wide; 28.2° tele H3D5 cameras @ 5 MP: 64° wide; 37° tele H3D5 cameras @ 3 MP: 90° wide; 30° tele H3D5 cameras @ 1080p: 86° wide; 28° tele
Vertical Angle of View	H3D2 cameras: 75° wide; 24° tele H3D3 cameras: 74° wide; 23° tele H3D5 cameras @ 5 MP: 50° wide; 28° tele H3D5 cameras @ 3 MP: 74° wide; 23° tele H3D5 cameras @ 1080p: 55° wide; 16° tele
IR LEDs (Select Models)	850 nm, 24 LEDs
IR Illumination Distance (Select Models)	Up to 50 ft (15 m), depending on scene reflectance and camera settings
White Balance	Auto/ATW/Manual
Privacy Masking	5 programmable zones
Audio/Two Way	Line in/out
Electrical	
Input Voltage	12 V DC, 24 V AC PoE IEEE 802.3af, Type 1, Class 0
Power Consumption	Non-IR models: 9 W (max) IR models: 12 W (max) PD Type 1, Class 0, 12.95 W (max)
Mechanical	
Dimensions (W × H)	149.0 x 30.5 mm
Weight	0.7 kg
Construction	Housing: Polycarbonate Colour: White
Recording and Storage	Up to 32 GB microSDHC card (Class 10) and Network Attached Storage (NAS) support (card and NAS not included)
Connectors	Video output (AUX): BNC connector Power input: 3-pin terminal block Network: RJ45 connector Alarm I/O: 4-pin terminal block Audio I/O: 4-pin terminal block

Environmental			
Temperature	Operating: –10°C to 50°C Storage: –20°C to 70°C		
Relative Humidity	10% to 85%, non-condensing		
IP Specifications			
Video Compression	H.264 Baseline/Main Profile/High Profile, Motion JPEG		
Primary Stream Resolution	H.264 Bitrate (Typical) <sup>1</sup>	Frame Rate	Storage/Day (GB)
2592 × 1944 <sup>2</sup>	4.0 Mbps	12	42.2
2048 × 1536 <sup>3</sup>	4.0 Mbps	15	42.2
1920 × 1080	4.0 Mbps	25/30	42.2
1280 × 1024	4.0 Mbps	25/30	42.2
1280 × 720	2.0 Mbps	25/30	21.1
1024 × 768	2.0 Mbps	25/30	21.1
800 × 600	2.0 Mbps	25/30	21.1
720 × 480	1.0 Mbps	25/30	10.5
640 × 480	1.0 Mbps	25/30	10.5
352 × 240	0.5 Mbps	25/30	5.3
Frame Rate (PAL/NTSC)	1080p and lower: Up to 25/30 fps 3 MP: Up to 15 fps 5 MP: Up to 12 fps		
Video Streaming	Quad streaming H.264 (x3) and H.264/MJPEG Controllable frame rate and bandwidth Constant or variable bit rate		
Security	Multiple user access levels with password protection		
Video Access from Web Browser	Full control of all camera settings available to administrator		
System Requirements	CPU: Pentium M 2.16 GHz or Intel Core 2 Duo 2.0 GHz RAM: 2 GB or more Network Card: 10Base-T (10 Mbps) minimum or 100Base-TX (100 Mbps) recommended OS: Windows XP, Windows Vista, Windows 7 Browser: Internet Explorer 6.0 or later (32-bit), Chrome, Firefox, or Safari		
Installation and Management Maintenance	Honeywell Device Search software identifies the IP address, discovers cameras, supports firmware upgrades		
Supported Protocols <sup>4</sup>	IPv4/v6, TCP/IP, UDP, RTP, RTSP, HTTP, HTTPS, ICMP, FTP, SMTP, DHCP, PPPoE, UPnP, IGMP, SNMP, QoS, SSL, DNS, NTP		
Standards	ONVIF (Profile S)		
Regulatory			
Emissions	FCC, CE (EN 55022)		
Immunity	CE (EN 50130-4)		
Safety	CE (EN 60950-1) North America UL listed to UL/CSA 60950-1		

<sup>1</sup> Actual bit rate is scene and motion dependent with H.264 stream.


<sup>2</sup> H3D5 cameras only.

<sup>3</sup> H3D3 and H3D5 cameras only.

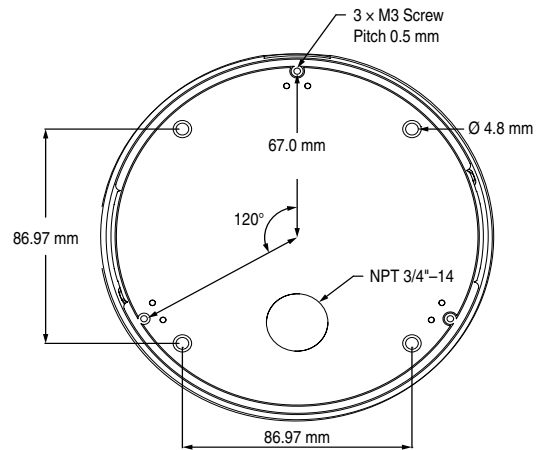
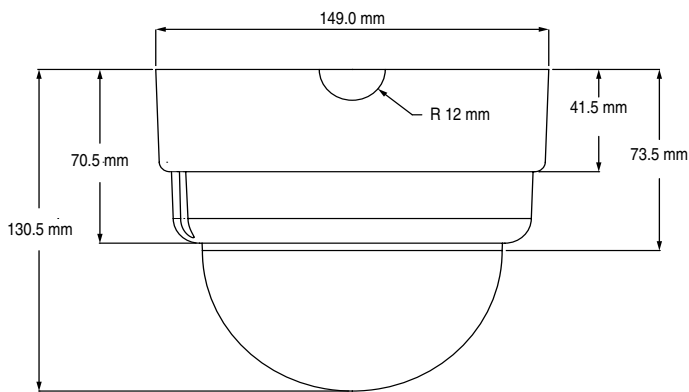
<sup>4</sup> Some development may be required in specific user cases to support some of these protocols in the field as they mature over time.

# H3D Series S

## ORDERING

System Integration	
Open IP Integration	
<p>ONVIF support and open API for software integration. Refer to <a href="http://www.onvif.org">www.onvif.org</a> for the ONVIF specification and the Honeywell Open Technology Alliance website (<a href="http://www.security.honeywell.com/hota">http://www.security.honeywell.com/hota</a>) to learn more about our open and integrated solutions.</p>	

Accessories	
Housing and Mounts	
H34S-IC	In-Ceiling Mount
H3SIP-PK	Pendant Mounting Kit
H3SIP-WK	Wall Mounting Kit
HSWK-PM	Pole Mount Adapter for H3SIP-WK
Replacement Covers	
H3S-CB	Clear Bubble with Plastic Housing
H3S-SB	Smoke Bubble with Plastic Housing



Ordering						
equiP® Series 1080p/3 MP/5 MP MFZ Lens True Day/Night H.264 Indoor Minidome IP Camera						
	Model Number	1080p	3 Megapixel	5 Megapixel	IR LEDs	P-IRIS
PAL	H3D2S2X	✓				✓
	H3D2SR2X	✓			✓	✓
	H3D3S2X		✓			✓
	H3D3SR2X		✓		✓	✓
	H3D5S2X			✓		✓
	H3D5SR2X			✓	✓	✓

**NOTE:** Honeywell reserves the right, without notification, to make changes in product design or specifications.



All other company names and products are trade names, trademarks or registered trademarks of their respective companies.

**For additional information, please visit**

[www.honeywell.com/security/uk](http://www.honeywell.com/security/uk)

### Honeywell Security Group

Aston Fields Road  
 Whitehouse Industrial Estate  
 Runcorn  
 Cheshire WA7 3DL  
 Tel: 08448 000 235  
[www.honeywell.com](http://www.honeywell.com)

