

## HD45IPX

### PERFORMANCE SERIES 720P DAY/NIGHT H.264 INDOOR FIXED MINI-DOME IP CAMERA

Honeywell's latest addition to the Performance Series of IP-based products, the HD45IPX is a 720p resolution, Day/Night indoor fixed mini-dome network camera engineered to provide extremely crisp images at minimal bandwidth. The HD45IPX provides 720p resolution at full frame rate. Progressive scan technology and 2D edge enhancement provide outstanding clarity and definition. Digital Noise Reduction results in significant storage savings without sacrificing image quality in low light. The 1/4" progressive scan CMOS sensor offers the latest in digital video surveillance technology with accurate colour rendition under a wide variety of lighting conditions. The HD45IPX also supports the PSIA specification for interoperability between network video products.

The compact, one piece design provides fast and easy installation in any application. The camera comes complete for surface mounting and an optional wall/pendant mount kit is available.

A 3-D axis gimbal capable of 360° of pan, 180° of tilt and 360° of horizontal rotation simplifies mechanical camera adjustment. The Vari-focal Auto Iris lens allows the field of view to be adjusted to suit the scene requirements, and an onboard analogue output allows the installer to connect a local test monitor while adjusting the scene.

A powerful and intuitive web client allows fine tuning of the camera and the auto iris levels.

The HD45IPX supports dual video streams and multiple compression formats with rates up to 25 frames per second. The digital compression parameters for the two video streams are independently configurable. A third analogue stream can be utilised as a backup or for local viewing. It is also valuable when retrofitting onto an existing analogue input DVR or encoder (full resolution not available).

With built-in low current Power over Ethernet (IEEE 802.3af), Class 1, power is supplied to the camera using standard network cabling, eliminating the need for a separate power supply and associated wiring. In retrofit situations where PoE switching does not exist, the unit can also be powered directly from 24 VAC.

#### Market Opportunities

The HD45IPX is perfect for installations where excellent picture clarity at minimal bandwidth is required. At three times the resolution of standard analogue cameras, yet with similar bandwidth requirements, the HD45IPX can be retrofitted on many existing DVR/NVR installations without requiring additional storage.

#### Features

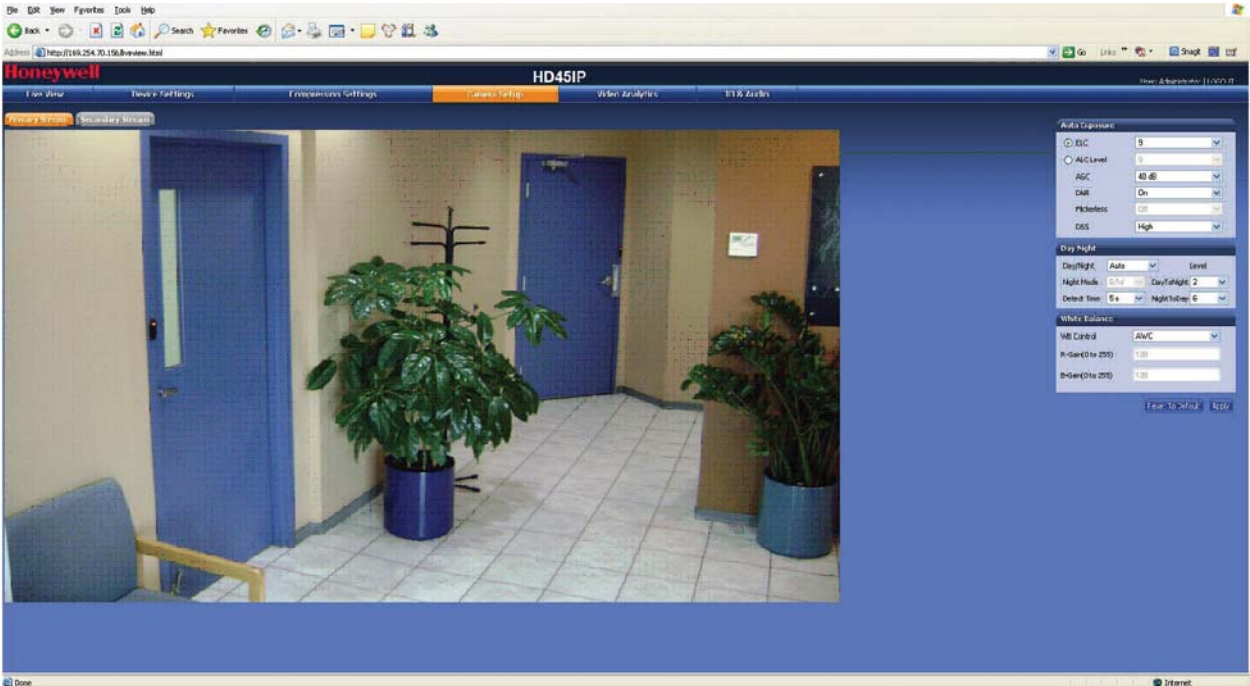
- Outstanding image quality, 720p (1280 x 720) resolution
- 25 fps (PAL) progressive scan
- Day/Night, 3.3-12 mm VFAI lens
- Camera tamper detection
- Video motion detection
- Selectable compression formats (H.264 or MJPEG)
- PSIA support
- Simultaneous dual video streams, independently configurable
- Remote firmware updates
- Supports both dynamic and static IP address assignment
- Includes advanced IP locator software to make system setup easy
- Web server for remote setup of camera video and network parameters
- Choice of 24 V AC or PoE IEEE 802.3af Class 1 power inputs
- Wall/pendant mount kit available



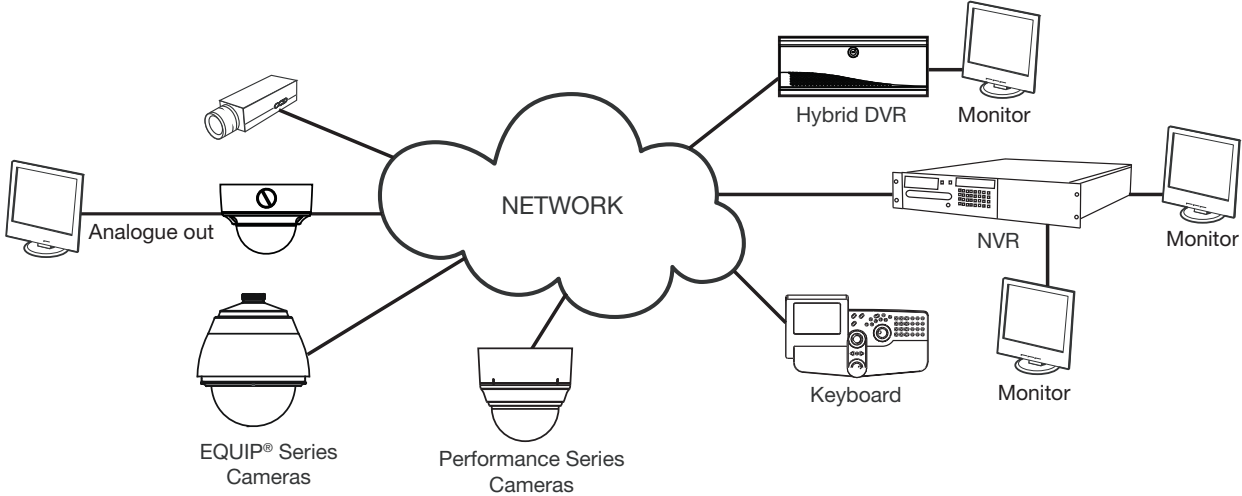
# HD45IPX

## SPECIFICATIONS

Like all cameras in the Performance Series, the HD45IPX network camera uses Honeywell technology for video motion detection, tamper detection, remote firmware updating and for secure storage of all camera settings. Video motion detection recognises object motion within the field of view, then a simple on-screen notification alerts the user. Camera tamper detection notifies the user when a camera's field of view is altered, blinded, or blurred. This ensures the video's integrity and alerts the customer to either a live event or a system problem that is causing disruption to the video stream. Honeywell's technology also allows users to remotely upload firmware to the camera. Setup is quick and easy and can be customised through a web client or from an NVR or DVR. The built-in web server provides password-protected access to the camera's video and network setup.



## SYSTEM DIAGRAM



# HD45IPX

## SPECIFICATIONS

Operational	
Video Standard	PAL
Scanning System	Progressive scan
Image Sensor	1/4" CMOS
Number of Pixels (H x V)	1280 x 720
Minimum Illumination	0.25 lux @ 50 IRE, F1.6 0.11 lux @ 30 IRE, F1.6
Automatic Lens Control	DC Iris Level 1-25
Video Output (Aux)	1.0 Vp-p @ 75 ohms
S/N Ratio	50 dB or more (AGC off)
Auto Gain Control	Off/On, selectable (10-40 dB)
Automatic Electronic Shutter	1/50-1/24,500 sec (PAL)
Lens Type	3.3-12 mm Vari-focal Auto Iris, F1.6
White Balance	AWC, AWC Push, Manual
Electrical	
Input Voltage	24 VAC, PoE IEEE 802.3af, Class 1
Input Range	17-28 VAC
Surge Suppression	1.5 kW transient
Power Consumption	3.5 W (max)
Mechanical	
Dimensions (W x H x D)	See Diagram
Weight	0.448 kg camera only
Construction	Housing: Polycarbonate Finish: Matt texture, off-white
Connector	Video Output (AUX): 2-pin Molex connector Power Input: Removable screw block Network: RJ45 connector

Environmental			
Temperature	Operating: -10°C to 50°C Storage: -40°C to 70°C		
Relative Humidity	0% to 85%, non-condensing		
IP Specifications			
Video Compression	Dual stream H.264 and MJPEG		
Resolution	H.264 Bitrate (Typical)*	Frame Rate	Storage/Day (GB)
1280 x 720	1.8 Mbps	25	18.98
800 x 450	1.2 Mbps	25	12.65
640 x 360	0.6 Mbps	25	6.33
320 x 180	0.21 Mbps	25	0.89
Frame Rate PAL	Up to 25 fps video in all resolutions		
Video Streaming	Dual streaming: H.264 and MJPEG Controllable frame rate and bandwidth		
Security	Multiple user access levels with password protection		
Users	1 Administrator, 3 Guests		
Video Access from Web Browser	Full control of all camera settings available to administrator		
Minimum Web Browsing Requirements	Pentium IV CPU 3.1 GHz or equivalent AMD, 1 GB RAM, AGP graphics card (32 MB RAM), Windows® 7 (32-bit and 64-bit), Windows® XP, and Windows® Server® 2008 R2, Internet Explorer 6.0 or later		
Installation and Management Maintenance	Honeywell IP Utility software identifies the IP address, checks status of device, firmware upgrades over HTTP		
Supported Protocols	HTTP, TCP, RTSP, RTP, UDP, ARP, DNS, RTCP, FTP, ICMP, DHCP, Bonjour, IGMP, Telnet		
Standards	PSIA support		
Regulatory			
Emissions	FCC part 15B, CE (EN55022)		
Immunity	CE (EN55024)		
Safety	EU: 2001/95/EC GPSD, UL 60950-1		

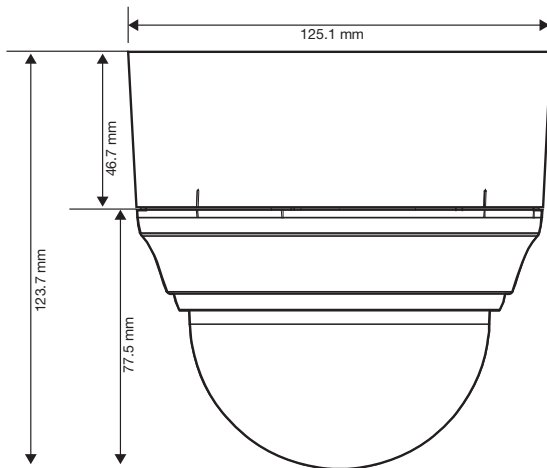
\*Actual bitrate is scene and motion dependent.

# HD45IPX

## SPECIFICATIONS

System Integration
<b>Open IP Integration</b>
PSIA support and open API for real interoperability between Honeywell and other manufacturers' IP-enabled security devices. Refer to the Honeywell Open Technology Alliance ( <a href="http://www.honeywell.com/security/hota">www.honeywell.com/security/hota</a> ) to learn more about our open and integrated solutions.

Accessories	
<b>Housing and Mounts</b>	
HD3-MK1	Wall/Pendant Mount Kit, Off-White



Ordering	
HD45IPX	Network Day/Night Fixed Dome, 1/4" Progressive Scan, CMOS, 720p Resolution Camera, 3.3-12 mm VFAL, 24 VAC or PoE IEEE 802.3af Class 1, H.264, PAL

**NOTE:** Honeywell reserves the right, without notification, to make changes in product design or specifications.

### For additional information,

please visit [www.honeywell.com/security/uk](http://www.honeywell.com/security/uk)

### Honeywell Security Group

Aston Fields Road  
Whitehouse Industrial Estate  
Runcorn  
Cheshire  
WA7 3DL  
Tel: 08448 000 235  
[www.honeywell.com](http://www.honeywell.com)

HVS-HD45IPX-01-UK(0911)DS-E  
September 2011  
© 2011 Honeywell International Inc.

# Honeywell