

## H2S Series S

### equiP® SERIES S 720p / 1080p INDOOR MICRO DOME IP CAMERAS

Honeywell's indoor micro dome H2S1P6X and H2S2P6X cameras offer high definition resolution at full frame rate, progressive scan technology, and edge enhancement for outstanding picture clarity. ONVIF (Profile S) compliance ensures hassle-free, flexible system integration.

#### Choose the Resolution That's Right for Your Application

- 720p H2S1P6X or 1080p H2S2P6X models.
- Quad stream compression (H.264-1+H.264-2+H.264-3+H.264-4/MJPEG).
- Configure a resolution and frame rate for each selected H.264 stream.

#### Maximize Bandwidth Without Losing Image Quality

- Highly efficient H.264 video compression.
- 3DNR (Digital Noise Reduction) and proprietary SPQ (Smart Picture Quality) provide significant storage savings without sacrificing image quality in low light.
- CMOS progressive scan imager ensures accurate colour rendition through a wide variety of lighting conditions.

#### Onboard Video Storage

- Up to 32 GB microSDHC (Class 10) support. (Card not included.)

#### Privacy Masking

- Conceal up to 5 areas of a scene from viewing and recording.

#### Time is Money—Installation and Upgrading Made Easy

- Camera and lens integrated in a compact, single-piece unit.
- Built-in PoE (Power over Ethernet) eliminates separate power supply and associated wiring.
- Remote configuration and firmware updating through Honeywell Viewer web client or from an NVR/DVR. Password-protected access to the camera's video and network setup.
- Export/import of configuration facilitates quick rollout of multiple cameras.

#### Market Opportunities

The H2S Series S Micro Dome cameras are a cost-effective surveillance solution for installations that require excellent picture quality at minimal bandwidth. Their simple yet solid, low-profile design is ideal for discreet installations where space is limited. Installation and setup is simple, quick and easy, with a factory-focused lens and a simple PoE connection.

#### Features

- 25 fps (30 fps for NTSC) progressive scan
- Software day/night, 4.0 mm (F1.5) fixed lens
- Camera tamper detection and video motion detection
- Supports both dynamic and static IP addresses, and APIPA auto-IP addressing
- Up to x8 digital zoom
- Date and time stamp embedded into video stream
- Configurable user privileges for simple viewing or administrator control and setup of functions
- Built-in microphone supports one-way audio



# H2S Series S

## FEATURES

### Immediately Detect and Respond to Events

The camera can be configured to automatically detect and respond to events such as motion in the scene, alarm inputs, a network failure and/or tampering. Automated responses include:

- Sending a notification through email, FTP and/or HTTP.
- Uploading still images at the time of the event through email and/or FTP.
- Recording a video clip of the event to a configured microSDHC memory card or network-attached storage.
- Enabling a visual or auditory notification (a flashing light, bell or siren).

The screenshot displays the Honeywell equIP Series S web interface. The top navigation bar includes 'Home', 'System', 'Streaming', 'Camera' (highlighted), and 'Logout'. The user is logged in as 'admin'. The interface is divided into a left sidebar for settings and a main area for a live video feed.

**Settings Sidebar:**

- Exposure:** Auto Mode, Max Gain: 3, Auto Shutter (selected), Min Shutter Speed: 1/4, Manual Mode (unselected).
- White Balance:** (Dropdown menu)
- Picture Adjustment:** (Dropdown menu)
- Backlight:** Off
- Digital Zoom:** Off
- WDR Function:** Off
- Noise Reduction:** SPQ
- TV System:** 30 fps(NTSC)

**Live Video Feed:** Shows a hallway with blue doors and potted plants. The timestamp is 2013/12/06 14:24. A 'Languages' dropdown is visible on the right.

**Video Format Panel:**

- Video format:  H.264-1  H.264-2
- MJPEG bitrate: middle compression, middle quality
- H.264-1 bitrate: 4096 kbps, middle compression
- H.264-2 bitrate: 1024 kbps, high compression, low quality
- H.264-3 bitrate: 1024 kbps, high compression, low quality
- H.264-4 bitrate: 1024 kbps, high compression, low quality

# H2S Series S

## SPECIFICATIONS

Operational	
Video Standard	PAL/NTSC
Scanning System	Progressive scan
Image Sensor	1/2.7" Progressive CMOS
Number of Pixels (H x V)	H2S2P6X: 1920 x 1080 (1080p) H2S1P6X: 1280 x 720 (720p)
Minimum Illumination	H2S2P6X: 0.4 lux colour @ 30 IRE, F1.5 H2S1P6X: 0.3 lux colour @ 30 IRE, F1.5
S/N Ratio	50 dB or more (AGC off)
Auto Gain Control	Off/On, selectable (20-40 dB)
Wide Dynamic Range	69 dB
Automatic Electronic Shutter (Manual Mode)	1-1/10,000 sec PAL/NTSC
Lens Type	4.0 mm, F1.5.
Angle of View	78°
White Balance	Manual/AWB/ATW
Audio/One Way	Microphone fitted, with Gain control
White Balance	Auto/ATW/Manual
Privacy Masking	5 programmable zones
Audio/Two Way	Line in/out
Electrical	
Input Voltage	PoE IEEE 802.3af, Type 1 Class 0, 12.95 W (max)
Power Consumption	3.5W
Mechanical	
Dimensions (W x H)	Ø110.2 mm x 47.7 mm
Weight	0.18 kg camera only
Construction	Housing: PC + ABS Dome bubble: Polycarbonate
Recording and Storage	Up to 32 GB microSDHC card (Class 10) and Network Attached Storage (NAS) support (card and NAS not included)
Connector	Network: RJ45 connector

Environmental			
Temperature	Operating: -10°C to 50°C Storage: -20°C to 70°C		
Relative Humidity	10% to 90%, non-condensing		
IP Specifications			
Video Compression	Quad stream H.264 (x3) and H.264/MJPEG		
Primary Stream Resolution	H.264 Bitrate (Typical)*	Frame Rate	Storage/Day (GB)
<b>H2S2P6X only</b>			
1920 x 1080	4.0 Mbps	25/30	42.2
1280 x 1024	4.0 Mbps	25/30	42.2
<b>Both Models</b>			
1280 x 720	2.0 Mbps	25/30	21.1
1024 x 768	2.0 Mbps	25/30	21.1
800 x 600	2.0 Mbps	25/30	21.1
720 x 480	1.0 Mbps	25/30	10.5
640 x 480	1.0 Mbps	25/30	10.5
352 x 240	0.5 Mbps	25/30	5.3
Frame Rate (PAL/NTSC)	Up to 25/30 fps video in all resolutions 1080p and lower.		
Video Streaming	Quad streaming: H.264 (x3) and H.264/MJPEG Controllable frame rate and bandwidth Constant or variable bit rate		
Security	Multiple user access levels with password protection		
Video Access from Web Browser	Full control of all camera settings available to administrator		
Operating System	Windows XP; Windows Vista; Windows 7 (32/64 bit)		
CPU Requirements	Intel Pentium M, 2.16 GHz or Intel Core 2 Duo, 2.0 GHz		
System Memory	2 GB RAM or more		
Network Card	10Base-T (10 Mbps) minimum or 100Base-TX (100 Mbps) recommended		
Web Browser	Microsoft Internet Explorer 6.0 or later; Mozilla Firefox®; Google Chrome; and Apple Safari		
Installation and Management Maintenance	Honeywell IP Utility software identifies the IP address, discovers cameras, supports firmware upgrades		
Supported Protocols**	IPv4/v6, TCP/IP, UDP, RTP, RTSP, HTTP, HTTPS, ICMP, FTP, SMTP, DHCP, PPPoE, UPnP, IGMP, SNMP, QoS, SSL, DNS, NTP		
Standards	ONVIF Profile S		
Regulatory			
Emissions	FCC Part 15B, CE EN55022		
Immunity	CE EN50130-4		
Safety	EU: EN60950-1 North America UL listed to UL/CSA 60950-1		

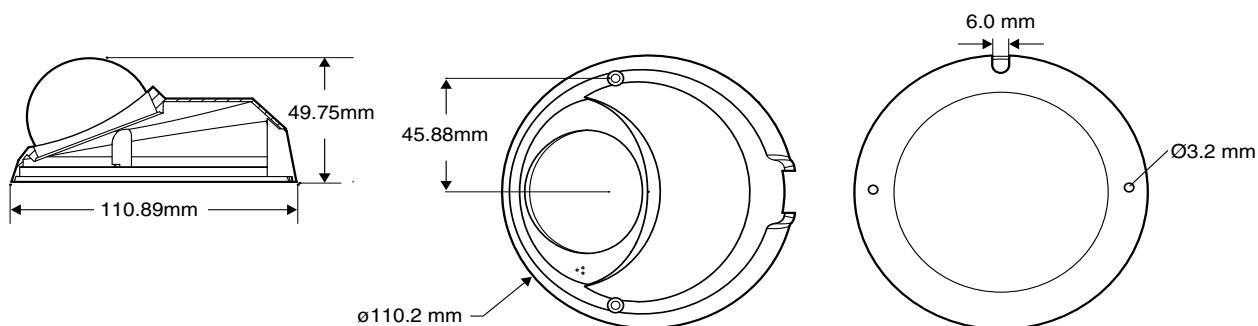
\* Actual bitrate is scene and motion dependent with H.264 stream.

\*\* Some development might be required in specific user cases to support some of these protocols in the field as naturally protocols will mature over time.

# H2S Series S

## ORDERING

System Integration	
Open IP Integration	
<p>ONVIF support and open API for software integration. Refer to <a href="http://www.onvif.org">www.onvif.org</a> for the ONVIF specification and the Honeywell Open Technology Alliance website (<a href="http://www.security.honeywell.com/hota">http://www.security.honeywell.com/hota</a>) to learn more about our open and integrated solutions.</p>	



Ordering				
equiP Series Indoor IP Micro Dome Camera				
Model Number	1080p	720p	NTSC	PAL
H2S1P6X		✓		✓
H2S2P6X	✓			✓

**NOTE:** Honeywell reserves the right, without notification, to make changes in product design or specifications.



All other company names and products are trade names, trademarks or registered trademarks of their respective companies.

**For additional information, please visit**

[www.honeywell.com/security/uk](http://www.honeywell.com/security/uk)

### Honeywell Security Group

Aston Fields Road  
 Whitehouse Industrial Estate  
 Runcorn  
 Cheshire WA7 3DL  
 Tel: 08448 000 235  
[www.honeywell.com](http://www.honeywell.com)

